

# HOMESTAR®

WWW.HOMESTAR.ONLINE

## REAL WOOD IMITATION BEAMS

Molded polyurethane

- Original replica, with a real and natural wood look
- Very resistant and smooth material surface
- Can be easily painted over with acrylic or water-based wall paint
- Solvent-free, CFC-free, environmentally friendly
- Glue consumption: approx. 56 g/m

### APPLICATION AREAS

- To design cozy and modern spaces
- "Real": looks like an old wooden beam
- It is also ideal as decoration for restaurants, offices, pubs, hotels, etc.
- Kitchen, bedroom, living room, guest room, ballroom and more.

**Material:** It is a rigid integral foam based on polyether polyols and diphenylmethane diisocyanate (MDI), with approximate density of 120 kg/m<sup>3</sup>.

**Temperature resistance:** -30°C to 90°C. **Moisture absorption:** up to 3%

**Recommendation:** Combine the decorative beams with the matching HOMESTAR consoles for a country touch. Mediterranean ambience in your own home!

**Characteristics and resistance:** HOMESTAR decorative boards do not have any structural function, they are only decorative elements. They can get wet, as they are resistant to humidity and are also immune to all pests and termites.

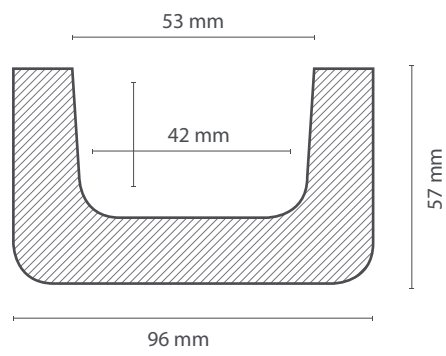
**Easy assembly:** Our decorative beams are particularly easy to assemble. Before starting work, make sure that the surface is clean, stable, dry and as smooth as possible. Now first cut the beam to length necessary with our HOMESTAR saw. Then just apply our Multipurpose glue to the back of the beam and press the PU beam firmly against the wall. Remove any glue residue immediately with a cloth wet to avoid unsightly stains on the beam. The beam must be supported for several hours. it is also possible work with a possible substructure with corresponding wooden wedges for gaps between the beams. Finally, fix the supports and cover the connections with a simple filler or you can also apply the our metallic tapes, produced in rubber, in black, for a real imitation of metallic tape.

**OBS. SUBJECT TO SMALL COLOR VARIATIONS.**

**NOTE:** A tolerance margin of 5% must be considered for dimension and weight and +/- 5mm for length.



MADE IN GERMANY



**HOMESTAR**

MODEL | **BEAM • 9X6**

Measure: 96X57 mm

SCALE 1:2

Material: Molded Polyurethane