

# HOMESTAR®

WWW.HOMESTAR.ONLINE

## PILASTER

EPS Expanded Polystyrene

**Identification:** The HOMESTAR brand and references are printed on the product packaging.

**Material:** Expanded Polystyrene (55 kg/m<sup>3</sup>), white, non-toxic, without CFC or HCFC, manufactured in Germany and with indefinite shelf life.

**Surface:** Embossed, satin finish and smooth reverse for better bonding.

**Characteristics and resistance:** HOMESTAR products do not have any structural function, they are just decorative elements. They can get wet as they are resistant to moisture and are also immune to all pests and termites. We recommend painting whenever the product is exposed directly to the sun. For applications outdoors or at high temperatures, we recommend painting with two coats of paint and preventive painting maintenance every year.

**Warning:** *The maximum temperature for all profiles should not be higher than 60° C*

**Tools for application:** You will need the following materials: an application gun, a spatula, a measuring tape, an pencil, a sponge and a bucket. To find out how to apply our products see our website [www.homestar.online](http://www.homestar.online) and watch our application videos.

**Glue:** We recommend using our Multipurpose glue, which is a water-based, solvent-free glue, available in 4 different types of packaging: 480g cartridge (application gun required), 300g squeeze, 1.5 kg and 5 kg (application made with a spatula).

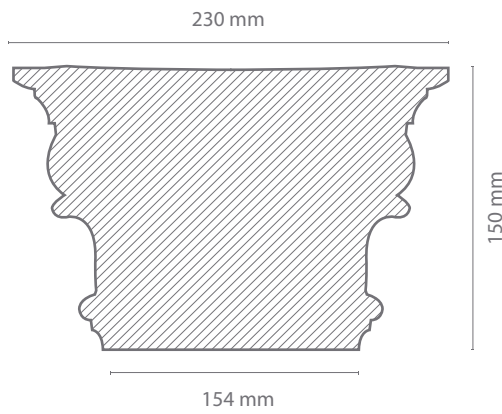
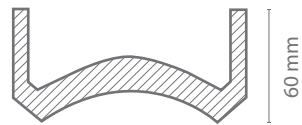
**Glue application and joint finishing:** The place where the product is to be glued must be clean, dry and free from dust. If you use a pistol, you must make several lines of glue throughout the product, if you use a spatula, you should spread the entire surface, leaving a minimum height of glue of approximately 0.5 to 1 cm. After applying the glue, place the product in the place where it will be installed and slide it slightly to the left and to the right, to remove any air bubbles. To remove excess glue, use a wet sponge. The joints should always be as close as possible and you should use our Multipurpose glue between them and on the surface. You can find out more in the videos at [www.homestar.online](http://www.homestar.online)

**Finishing:** HOMESTAR products do not require any primer application and can be directly painted with any solvent-free paint (water-based), if you need to use a solvent-free paint, you should always use a solvent-free paint first, which will work as a primer.

**NOTE:** *A tolerance margin of 5% must be considered for dimension and weight and +/- 5mm for length.*



MADE IN GERMANY



**HOMESTAR**

MODEL | **HKP 15D**

SCALE 1:4

Material: EPS (Expanded Polystyrene), with a density of about 55 kg/m<sup>3</sup>