

HOMESTAR®

WWW.HOMESTAR.ONLINE

MODERN MOLDING

XPS Extruded Polystyrene

Identification: The HOMESTAR brand and references are printed on the back of each profile.

Material: Extruded Polystyrene (70 kg/m³), white, non-toxic, without CFC or HCFC, manufactured in Germany and with indefinite shelf life.

Surface: Smooth with a satin finish and with the ends cut to 90° degrees, the back of the profile is grooved for better bonding.

Dimension: Pieces approximately 2 meters long. The pieces should preferably be stored vertically.

Characteristics and resistance: HOMESTAR profiles have no structural function, they are just decorative elements. They can get wet as they are resistant to moisture and are also immune to all pests and termites. We recommend painting whenever the product is exposed directly to the sun. For applications outdoors or at high temperatures, we recommend painting with two coats of paint and preventive painting maintenance every year.

Warning: *The maximum temperature for all profiles should not be higher than 60° C*

Tools for application: We recommend the HOMESTAR cut box to cut the angles and the HOMESTAR saw, specially developed for cutting polystyrene. These are the only two technical tools you will need to purchase, however you will also need the following materials: an application gun, a spatula, a measuring tape, a pencil, a sponge and a bucket. To find out how to cut the angles see our website www.homestar.online and watch our application videos.

Glue: We recommend using our Multipurpose glue, which is a water-based, solvent-free glue, available in 4 different types of packaging: 480g cartridge (application gun required), 300g squeeze, 1.5 kg and 5 kg (application made with a spatula).

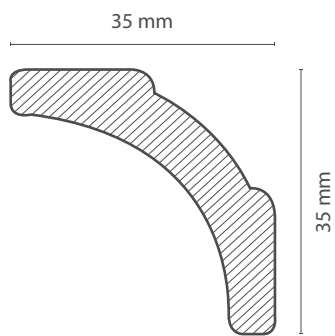
Glue application and joint finishing: The place where the profile is to be glued must be clean, dry and free from dust. The application of the glue must always be on the grooved surface of the profile. If you use a pistol, you must make several lines of glue throughout the product, if you use a spatula, you should spread the entire surface, leaving a minimum height of glue of approximately 0.5 to 1 cm. After applying the glue, place the product in the place where it will be installed and slide it slightly to the left and to the right, to remove any air bubbles. To remove excess glue, use a wet sponge. The joints should always be as close as possible and you should use our Multipurpose glue between them and on the surface. You can find out more in the videos at www.homestar.online

Finishing: HOMESTAR profiles do not require any primer application and can be directly painted with any solvent-free paint (water-based), if you need to use a solvent-free paint, you should always use a solvent-free paint first, which will work as a primer.

NOTE: *A tolerance margin of 5% must be considered for dimension and weight and +/- 5mm for length.*



MADE IN GERMANY



HOMESTAR

MODEL | **A5** • MODERN PROFILE

Frontal View: 48 mm

SCALE 1:1

Material: XPS (Extruded Polystyrene), with a density of about 70 kg/m³