

REAL WOOD IMITATION BEAM SUPPORTS

Molded polyurethane

- Original replica, with a real and natural wood look
- Very resistant and smooth material surface
- Can be easily painted over with acrylic or water-based wall paint
- Solvent-free, CFC-free, environmentally friendly
- Glue consumption: approx. 56 g/m

Material: It is a rigid integral foam based on polyether polyols and diphenylmethane diisocyanate (MDI), with approximate density of 120 kg/m³.

Temperature resistance: -30°C to 90°C. **Moisture absorption:** up to 3%

Recommendation: Combine the support with the matching beams for a rural Mediterranean feel in your own home!

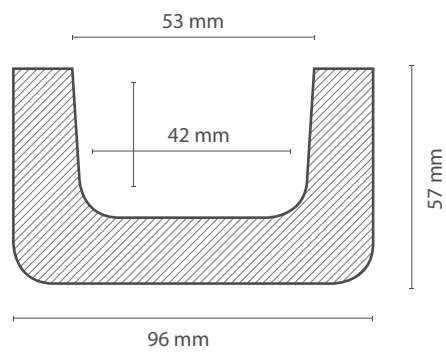
Characteristics and resistance: HOMESTAR decorative supports do not have any structural function, they are only decorative elements. They can get wet, as they are resistant to humidity and are also immune to all pests and termites.

Easy assembly: Before starting work, make sure that the surface is clean, stable, dry and as smooth as possible. Our decorative brackets are particularly easy to assemble, once you have the beam installed finished, just apply our Multipurpose glue to the back of the support and press firmly against the wall. Remove any glue residue immediately with a damp cloth to avoid staining unpleasant.

OBS. SUBJECT TO SMALL COLOR VARIATIONS.

NOTE: A tolerance margin of 5% must be considered for dimension and weight and +/- 5mm for length.





HOMESTAR

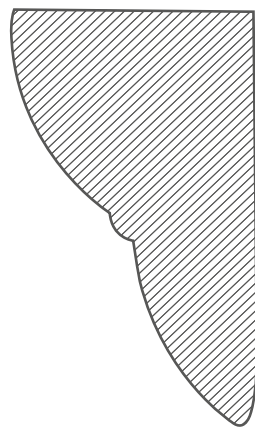
MODEL | **SUPPORT BEAM** • 9X6

Measure: 96X57 mm

SCALE 1:2

Material: Molded Polyurethane

65 mm



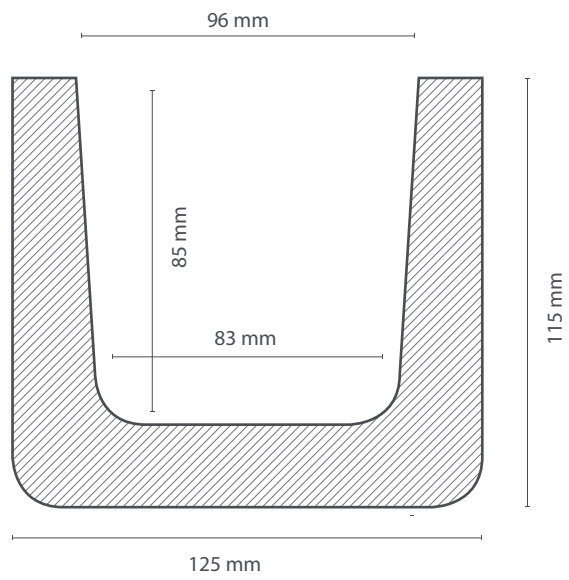
110 mm

HOMESTAR

MODEL | **SUPPORT BEAM** • 9X6

SCALE 1:2

Material: Molded Polyurethane



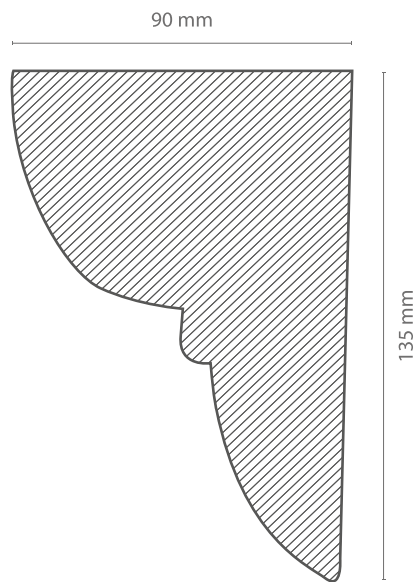
HOMESTAR

MODEL | **SUPPORT BEAM • 12X12**

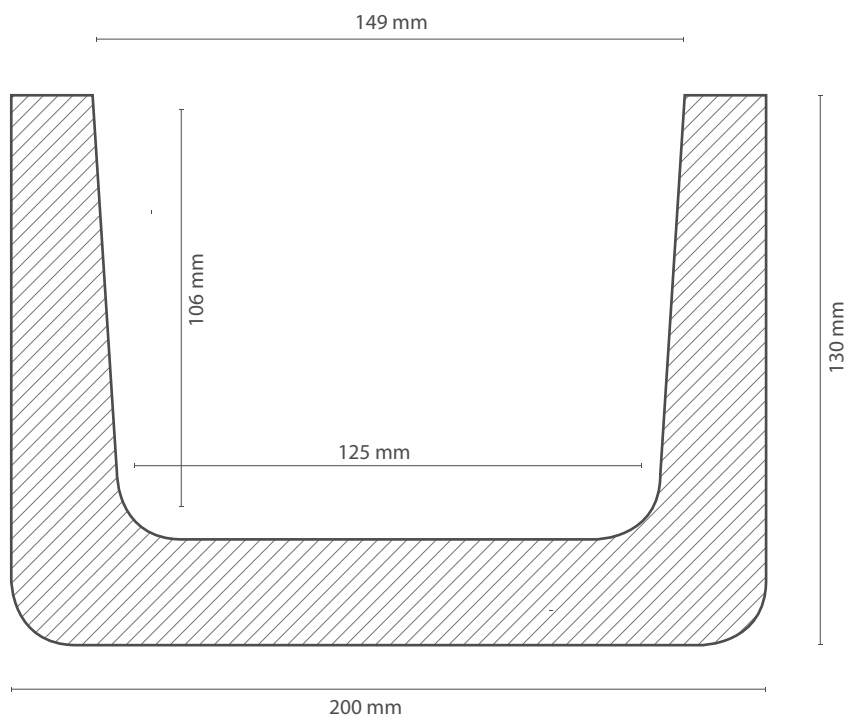
Measure: 125X115 mm

SCALE 1:2

Material: Molded Polyurethane



HOMESTAR <small>HOMESTAR®</small>	
MODEL SUPPORT BEAM • 12x12	SCALE 1:2
Material: Molded Polyurethane	



HOMESTAR

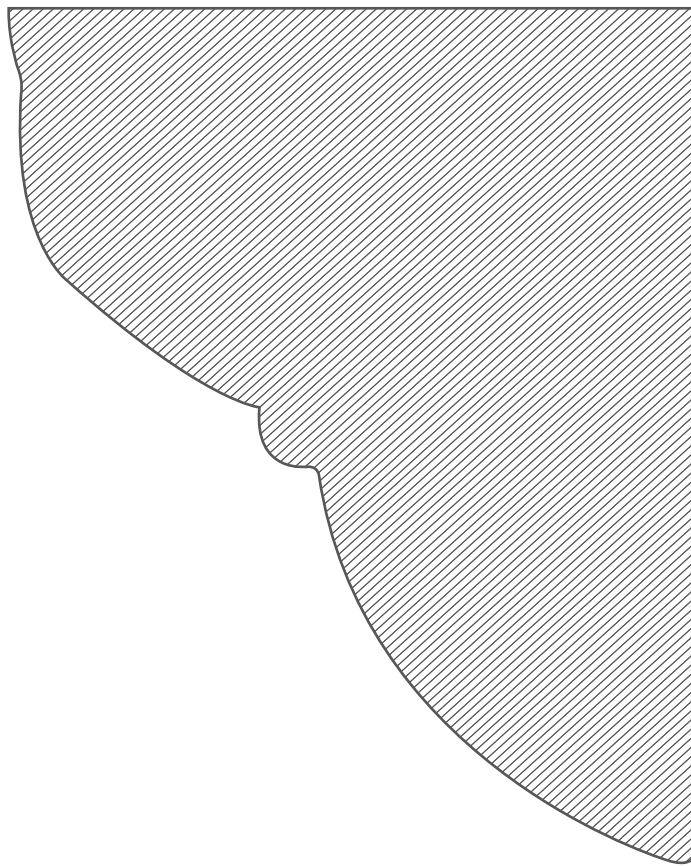
MODEL | **SUPPORT BEAM** • 20X13

Measure: 200X130 mm

SCALE 1:2

Material: Molded Polyurethane

226 mm



182 mm

HOMESTAR <small>HOMESTAR®</small>	
MODEL SUPPORT BEAM • 20X13	SCALE 1:2
Material: Molded Polyurethane	